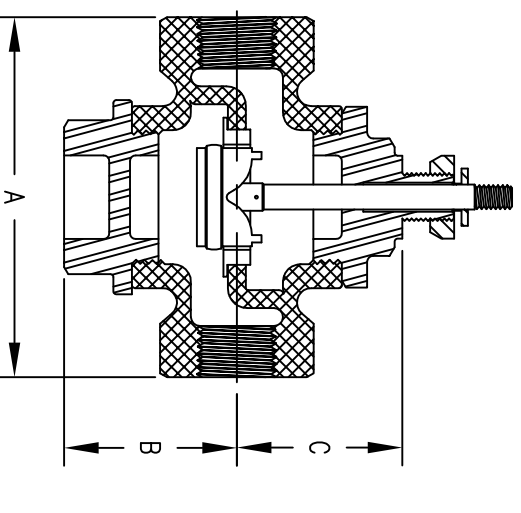


DIRECT ACTING
SINGLE VALVE SEAT
316SS BODY MATERIAL
316SS TRIM MATERIAL
THREADED CONNECTION



REVERSE ACTING
SINGLE VALVE SEAT
316SS BODY MATERIAL
316SS TRIM MATERIAL
THREADED CONNECTION

VALVE BODY NUMBER	REVERSE ACTING FOR COOLING	CONNECTION (NPT)	NOMINAL PORT	CAPACITY (CV)	MAXIMUM CLOSE-OFF PRESSURE psid (bar)	DIMENSIONS IN (MM)			APPROXIMATE SHIPPING WT. lbs (kg)
						A	B	C	
DA1VA42	RA1VA42	1/2"	1/8"	0.34	250 (17.3)	A	B	C	8.0 (3.64)
DA2VA42	RA2VA42	1/2"	3/16"	0.76	250 (17.3)				8.0 (3.64)
DA3VA42	RA3VA42	1/2"	1/4"	1.5	250 (17.3)				8.0 (3.64)
DA4VA42	RA4VA42	1/2"	3/8"	3.4	250 (17.3)	5 [127]	2-29/32 [73.82]	3-13/32 [86.52]	8.0 (3.64)
DO0VA42	RO0VA42	1/2"	1/2"	6	250 (17.3)				8.0 (3.64)
DO1VA42	RO1VA42	3/4"	3/4"	8.6	140 (9.7)				8.0 (3.64)
DO2VA42	RO2VA42	1"	1"	14	60 (4.1)				8.0 (3.64)
DO4VA42	RO4VA42	1-1/2"	1-1/2"	27	25 (1.7)	6-7/64 [155.18]	3-1/2 [88.9]	4 [101.6]	15.5 (7.05)
DO5VA42	RO5VA42	2"	2"	33	15 (1.0)	6-1/2 [165.1]	3-29/32 [99.22]	4-13/64 [106.76]	19.0 (8.64)

SCALE 1:2

© = CRITICAL DIMENSION
STANDARD TOLERANCES UNLESS NOTED:
ALL DECIMAL DIMENSIONS ± .005
ALL ANGLES ± 1°

NO.		CHANGES		DATE		NAME		MATERIAL	
				DWN BY		38R SERIES		2-WAY STAINLESS STEEL	
				CHKD				SINGLE SEAT	
				APPD				FINISH	
				BY/DATE				FR. NO.	
								ACAD2002	
								3	
								Dwyer Instruments, Inc.	
								MICHIGAN CITY, INDIANA 46360 U.S.A.	

NOTICE: This drawing and the principles and elements of design embodied therein are the exclusive property of DWYER INSTRUMENTS, INC. and are not to be communicated, disclosed, reproduced or used except as previously authorized in writing by such corporation and must not be submitted to outside parties for examination without the written consent of said corporation.