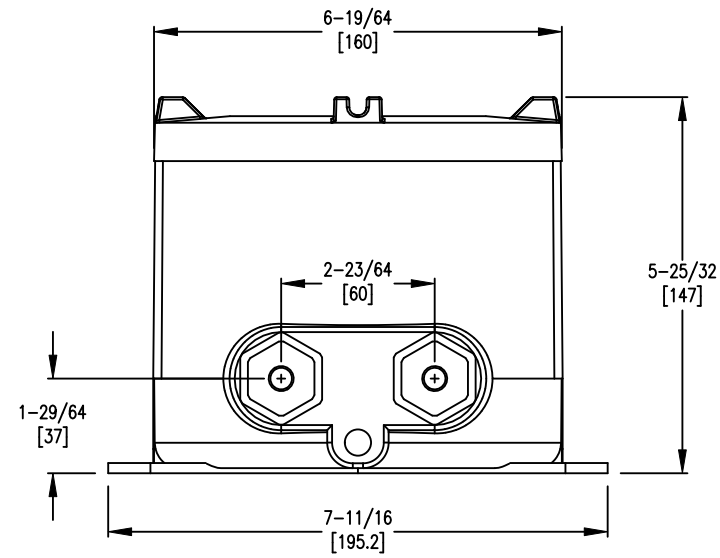
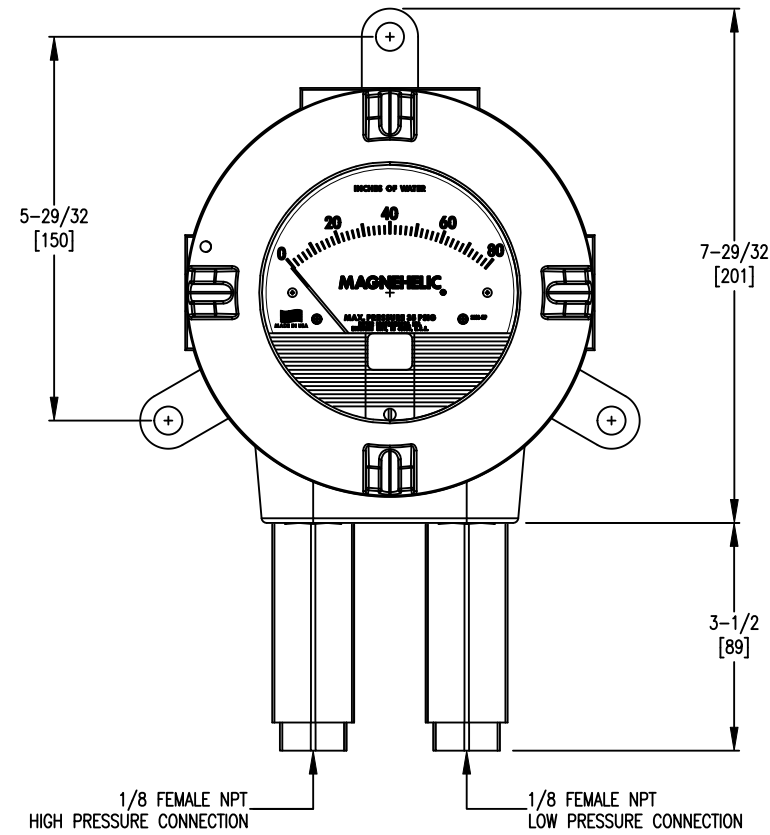
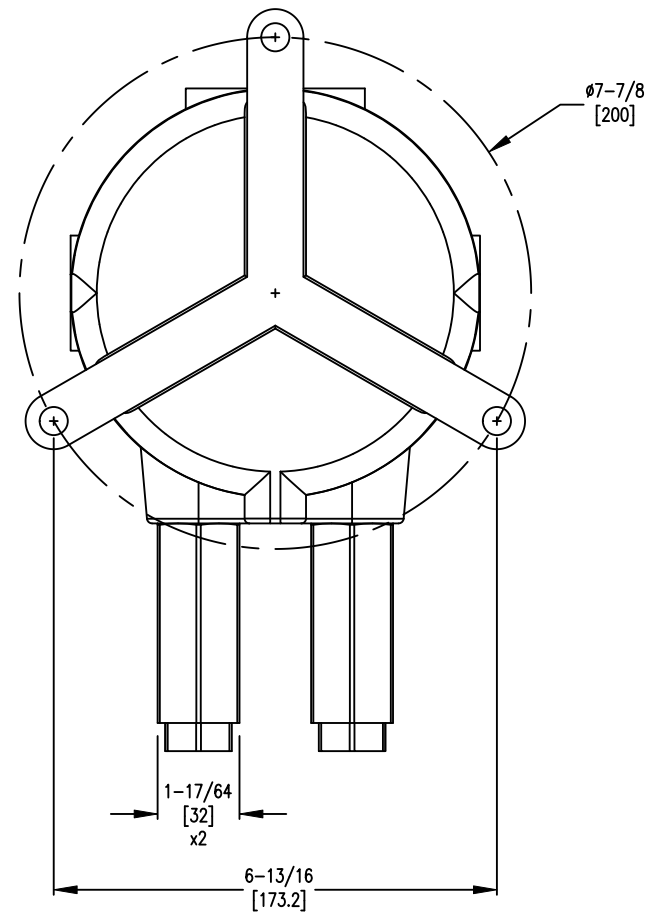


AT-100NA-2000 (VLO / DTC001 / W)



AT-100NA-2000 (VLO / DTC001 / W / BACKSIDE VIEW)



Ⓢ = CRITICAL DIMENSION
 STANDARD TOLERANCES UNLESS NOTED:
 ALL DECIMAL DIMENSIONS ± .005
 ALL ANGLES ± 1°

SCALE 3:1

		DATE	06-05-20	NAME	ARTWORK, SERIES 2000 WITH ATEX/IECEX CERTIFIED ALUMINUM ENCLOSURE W/WINDOW LD PRESSURE PORT NO VENTING VALVE (FOR REFERENCE ONLY)	MATERIAL
		DWN BY	DPR	CHKD	JEO	FINISH
1	UPDATED MODEL FORMAT AND MODIFIED THE DIMENSIONS PER ECR-046903	DPR	10-09-20	APPD	FAE	DWYER INSTRUMENTS, INC. MICHIGAN CITY, INDIANA 46360 U.S.A.
NO.	CHANGES	BY/DATE				
NOTICE: This drawing and the principles and elements of design embodied therein are the exclusive property of DWYER INSTRUMENTS, INC. and are not to be communicated, disclosed, reproduced or used except as previously authorized in writing by such corporation and must not be submitted to outside parties for examination without the written consent of said corporation.						FR. NO. 701456-11