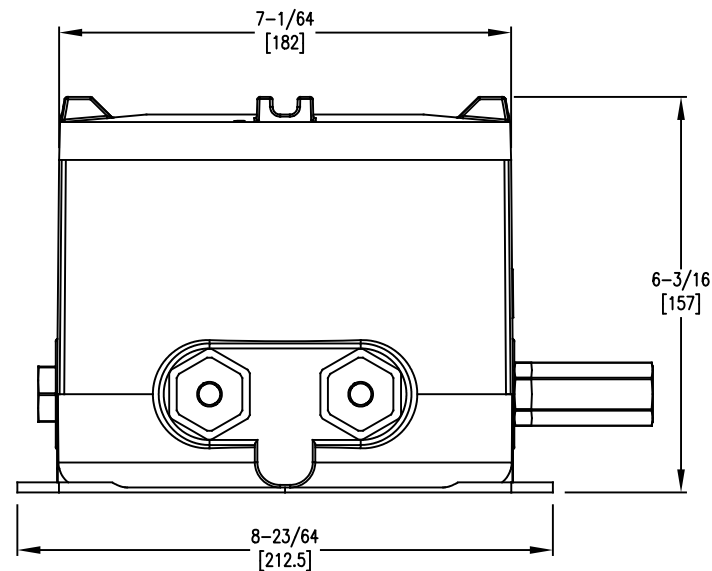
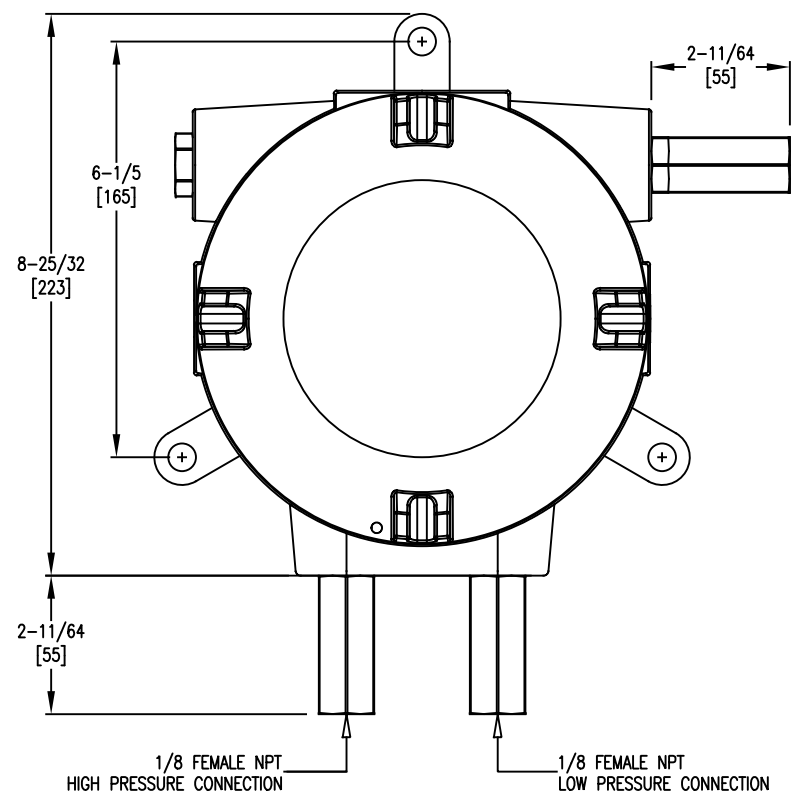
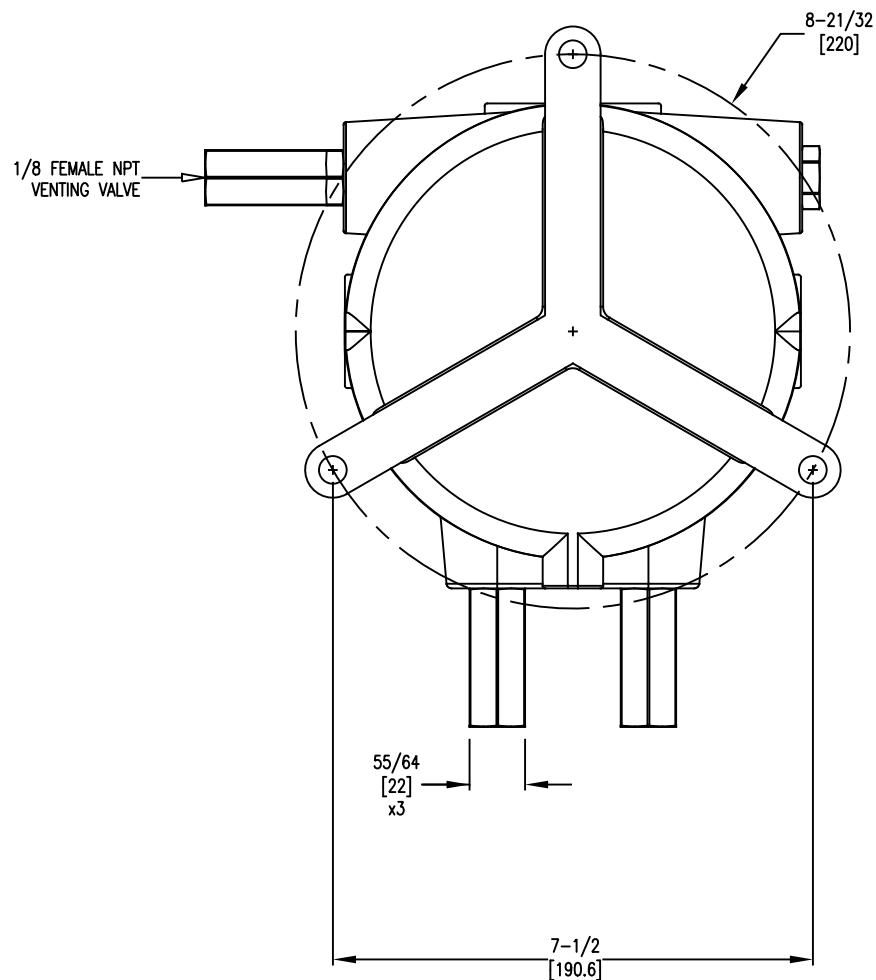


AT-102NA-MSX (VS1 / DTC017)



AT-102NA-MSX (VS1 / DTC017 / BACKSIDE VIEW)



SCALE 1:3

Ⓢ = CRITICAL DIMENSION
STANDARD TOLERANCES UNLESS NOTED:
ALL DECIMAL DIMENSIONS ± .005
ALL ANGLES ± 1°

		DATE	03-14-22	NAME		MATERIAL
		DWN BY	KAS	ARTWORK, SERIES MSX WITH ATEX/IECEX CERTIFIED ALUMINUM ENCLOSURE STD PRESSURE PORT STD VENTING VALVE (FOR REFERENCE ONLY)		FINISH
		CHKD				DWYER INSTRUMENTS, LLC. MICHIGAN CITY, INDIANA 46360 U.S.A.
0	INITIAL RELEASE ND-008013	APPD				
NO.	CHANGES	BY/DATE				FR. NO. 701487-10

NOTICE: This drawing and the principles and elements of design embodied therein are the exclusive property of DWYER INSTRUMENTS and are not to be communicated, disclosed, reproduced or used except as previously authorized in writing by such company and must not be submitted to outside parties for examination without the written consent of said company.