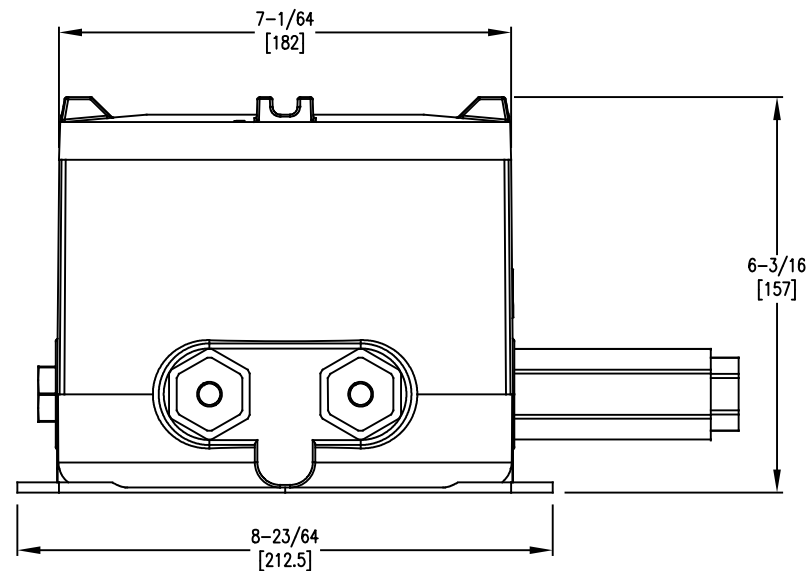
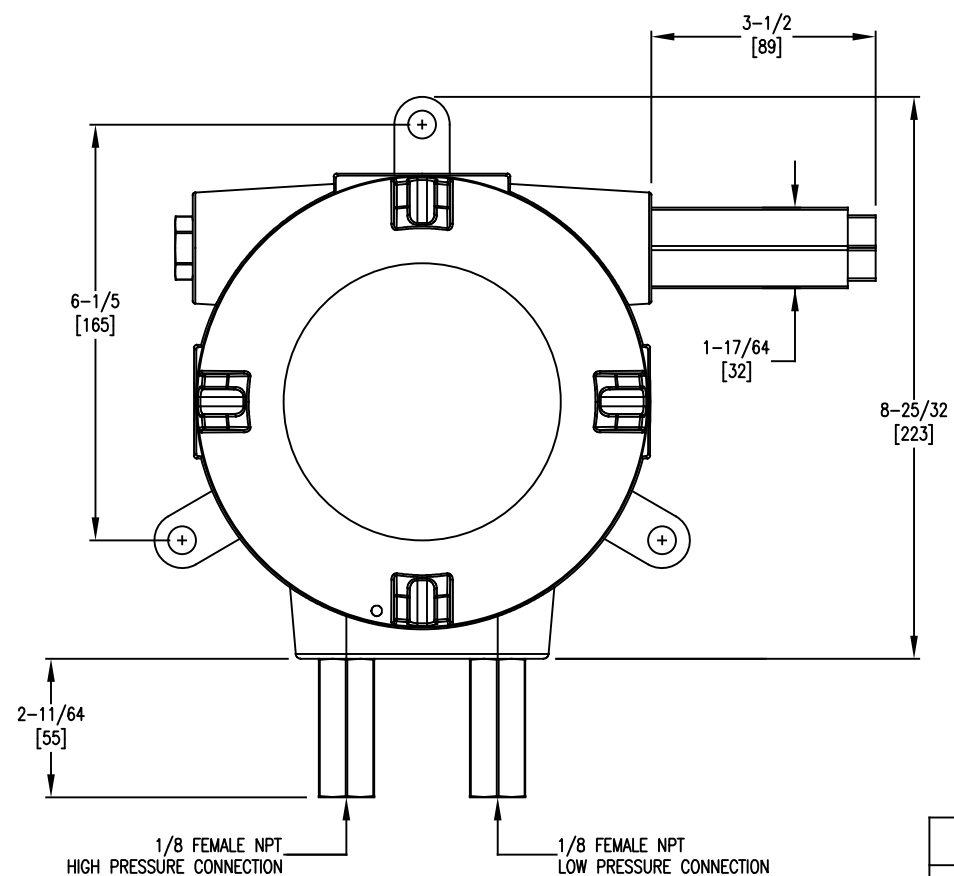
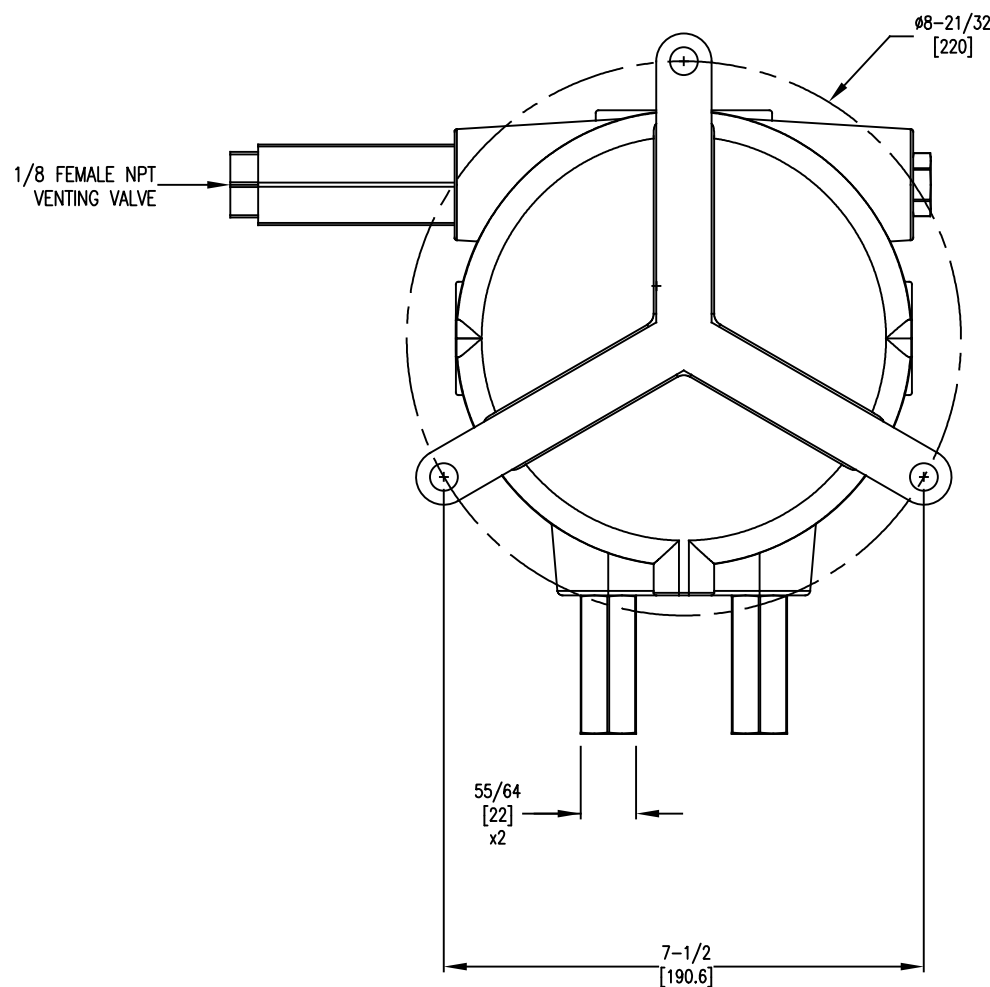


AT-102NA-MSX (VS2 / DTC018)



AT-102NA-MSX (VS2 / DTC018 / BACKSIDE VIEW)



SCALE 1:3

Ⓢ = CRITICAL DIMENSION
STANDARD TOLERANCES UNLESS NOTED:
ALL DECIMAL DIMENSIONS ± .005
ALL ANGLES ± 1°

		DATE	NAME	MATERIAL
		04-26-22		
		DWN BY	ARTWORK, SERIES MSX WITH ATEX/IECEX CERTIFIED ALUMINUM ENCLOSURE STD PRESSURE PORT LD VENTING VALVE (FOR REFERENCE ONLY)	FINISH
		KAS		
		CHKD		
		APPD		
0	INITIAL RELEASE ND-008013			DWYER INSTRUMENTS, LLC. MICHIGAN CITY, INDIANA 46360 U.S.A.
NO.	CHANGES	BY/DATE		
NOTICE: This drawing and the principles and elements of design embodied therein are the exclusive property of DWYER INSTRUMENTS and are not to be communicated, disclosed, reproduced or used except as previously authorized in writing by such company and must not be submitted to outside parties for examination without the written consent of said company.				FR. NO. 701487-20
				4