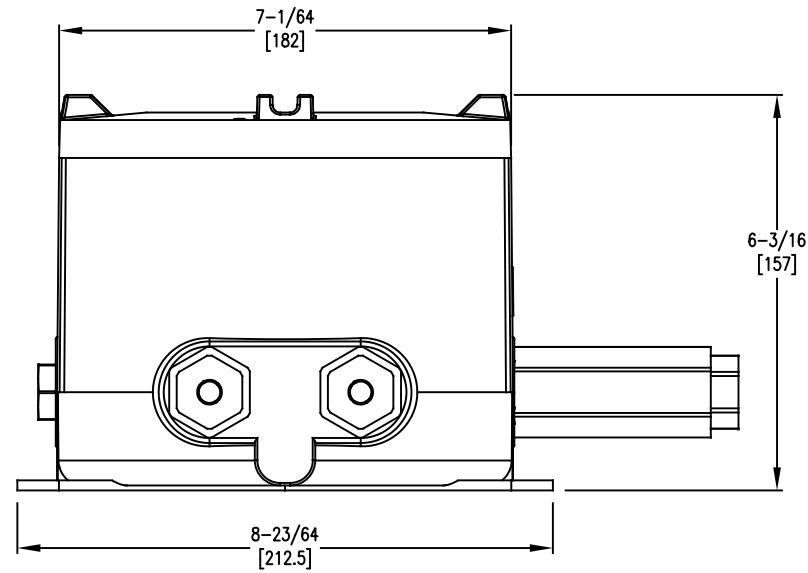
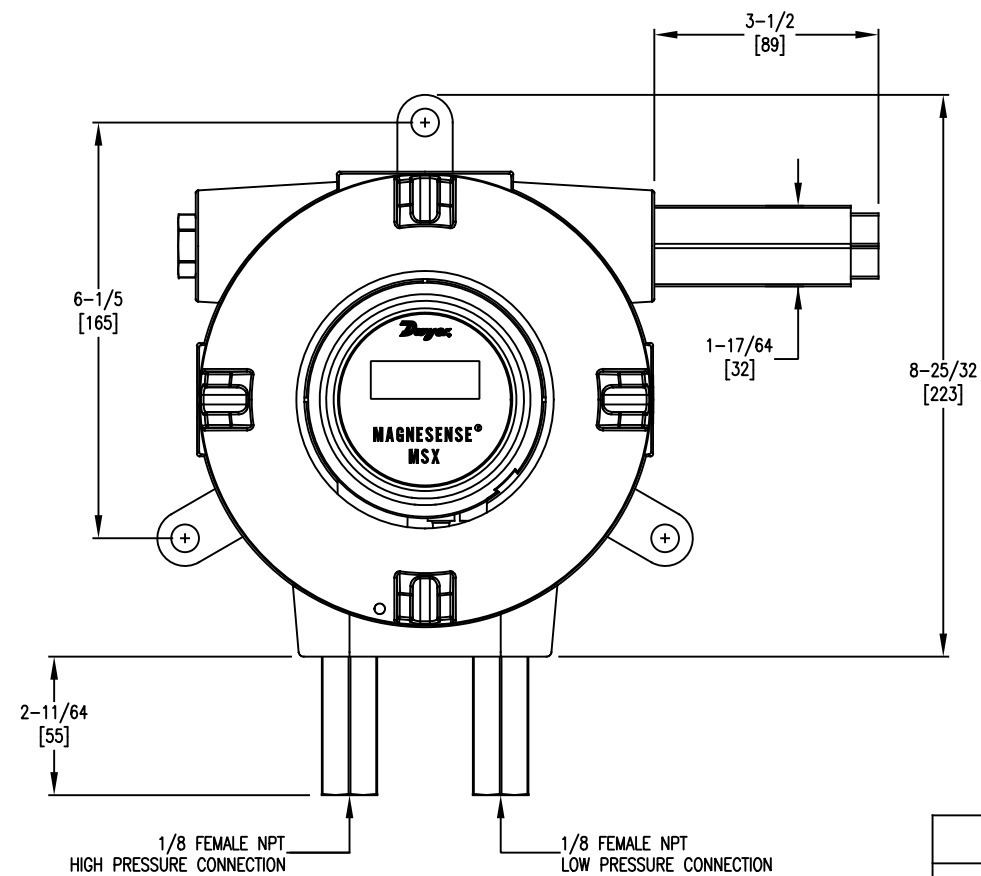
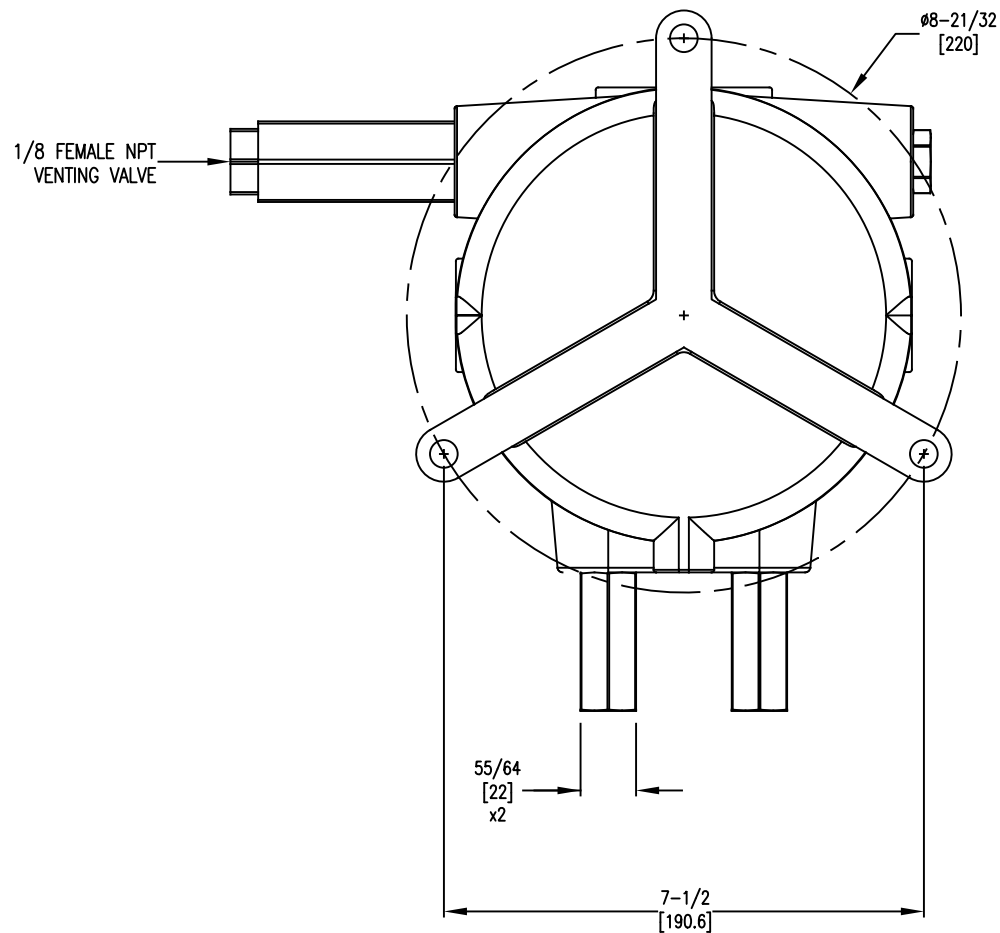


AT-102NA-MSX (VS2 / DTC018 / W)



AT-102NA-MSX (VS2 / DTC018 / W / BACKSIDE VIEW)



Ⓢ = CRITICAL DIMENSION
 STANDARD TOLERANCES UNLESS NOTED:
 ALL DECIMAL DIMENSIONS ± .005
 ALL ANGLES ± 1°

SCALE 1:3

		DATE	NAME	MATERIAL
		04-26-22	ARTWORK, SERIES MSX	
		DWN BY	WITH ATEX/IECEx CERTIFIED	FINISH
		KAS	ALUMINUM ENCLOSURE W/WINDOW	
		CHKD	LD PRESSURE PORT	
0	INITIAL RELEASE ND-008013	APPD	STD VENTING VALVE	DWYER INSTRUMENTS, LLC.
NO.	CHANGES	BY/DATE	(FOR REFERENCE ONLY)	MICHIGAN CITY, INDIANA 46360 U.S.A.
NOTICE: This drawing and the principles and elements of design embodied therein are the exclusive property of DWYER INSTRUMENTS and are not to be communicated, disclosed, reproduced or used except as previously authorized in writing by such company and must not be submitted to outside parties for examination without the written consent of said company.				FR. NO. 701487-21